

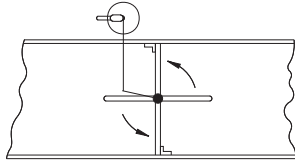
Kidde Fire Systems HPCO2 Component Description



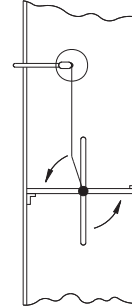
Effective: April 2022
K-81-5201 Rev AC

Pressure Trip Applications

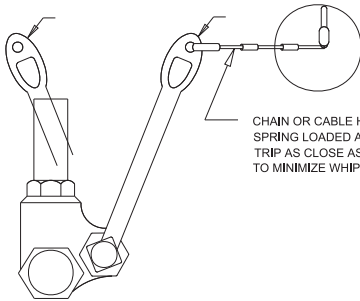
INSTALLATION DETAIL



HORIZONTAL DUCT DAMPER

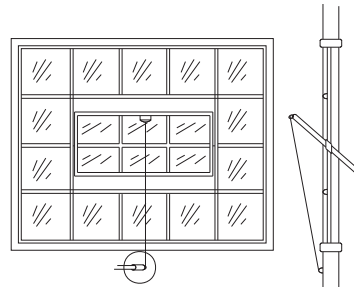


VERTICAL DUCT DAMPER

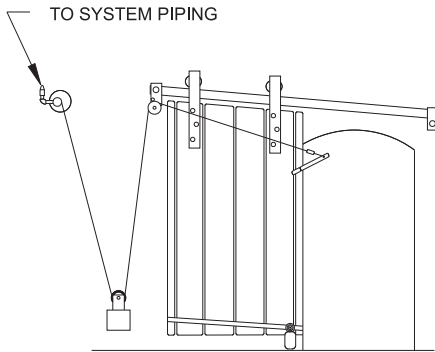


CHAIN OR CABLE HOLDS BACK SPRING LOADED ARM-INSTALL TRIP AS CLOSE AS POSSIBLE TO MINIMIZE WHIPLASH

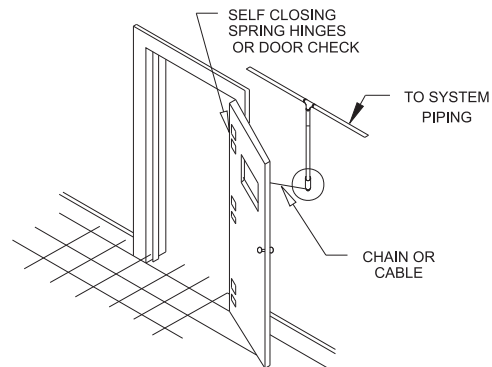
SPRING LOADED LIQUID OR GAS SHUTOFF VALVE



WINDOW-EITHER WEIGHTED OR OFF BALANCE



SLIDING DOOR



SWINGING DOOR-SELF CLOSING

EXPORT INFORMATION (USA)

Jurisdiction: EAR

Classification: EAR99

This document contains technical data subject to the EAR.

All trademarks are the property of their respective owners.

©2022 Carrier

This literature is provided for informational purposes only. KIDDE-FENWAL, INC. believes this data to be accurate, but it is published and presented without any guarantee or warranty whatsoever. KIDDE-FENWAL, INC. assumes no responsibility for the product's suitability for a particular application. The fire suppression system design, installation, maintenance, service and troubleshooting must be performed by trained, authorized Kidde Fire Systems distributors for the product to work correctly. If you need more information on this product, or if you have a particular problem or question, contact KIDDE-FENWAL, INC., Ashland, MA 01721 USA. Telephone: (508) 881-2000.

Kidde Fire Systems
400 Main Street
Ashland, MA 01721
Ph: 508.881.2000
Fax: 508.881.8920
kiddefiresystems.com